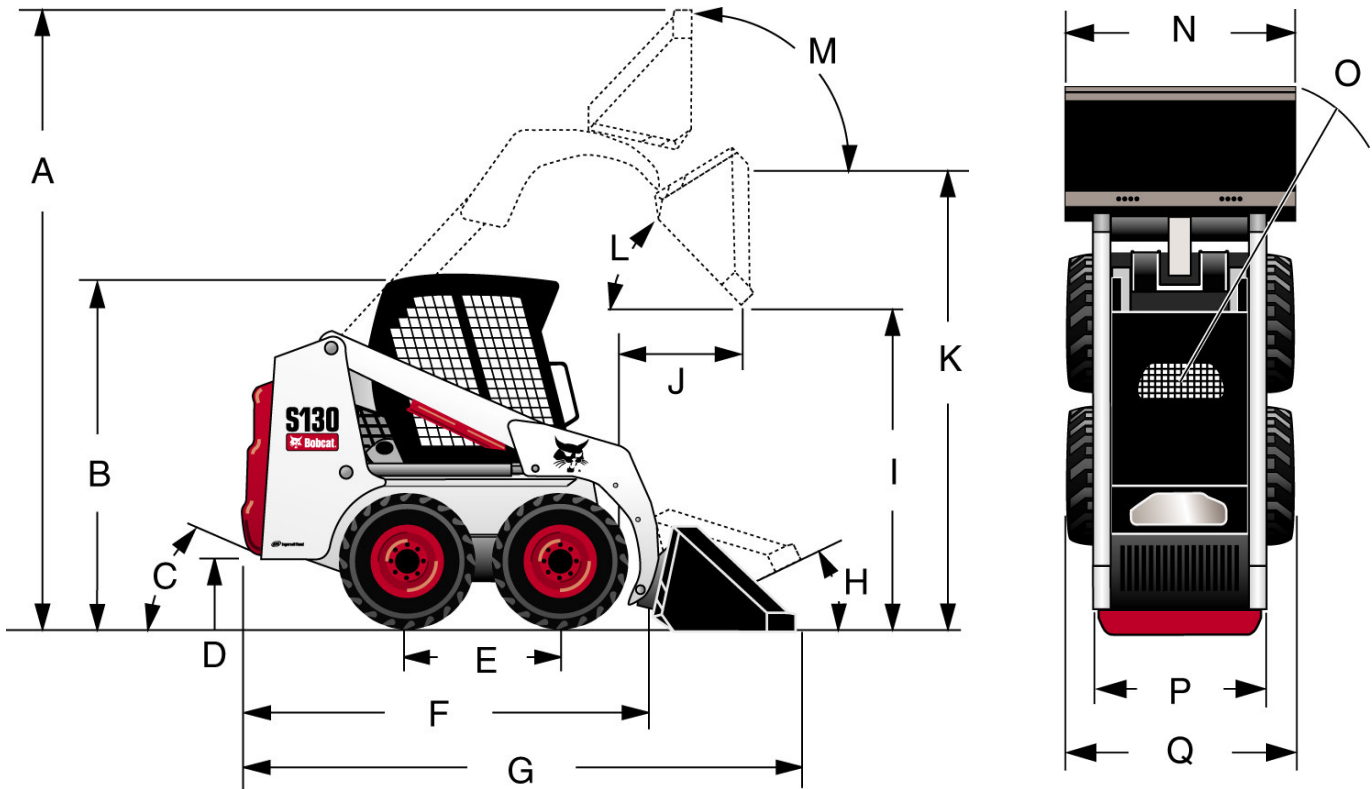


S130 SKID-STEER LOADER SPECIFICATIONS



DIMENSIONS



A) Operating Height	143.4" (3812 mm)	N) Width (over bucket)	
B) Height with Operator Cab	77.3" (1963 mm)	54" Bucket with offset rims	54.0" (1372 mm)
C) Angle of Departure	23°	60" Bucket	60.0" (1524 mm)
D) Ground Clearance	7.4" (188 mm)	62" Bucket	62.0" (1575 mm)
E) Wheelbase	35.5" (900 mm)	O) Turning Radius	
F) Length without Attachment	95.8" (2432 mm)	with Standard Bucket	68.7" (1745 mm)
G) Length with Standard Bucket	124.1" (3152 mm)	Rear Clearances	59.4" (1509 mm)
H) Rollback @ Carry Position	25°	P) Wheel Tread	
I) Dump Height with Standard Bucket	82.7" (2101 mm)	10-16.5	48.1" (1222 mm)
J) Dump Reach @ Maximum Height	22.6" (575 mm)	10-16.5 with offset rims	42.5" (1079 mm)
K) Height to Bucket Hinge Pin	109.5" (2781 mm)	31.5x13-16.5	48.5" (1232 mm)
L) Dump Angle @ Maximum Height	40°	Q) Width (over tires)	
M) Rollback Fully Raised		10-16.5	58.7" (1490 mm)
@ Maximum Height	96°	10-16.5 with offset rims	53.8" (1367 mm)
Carry Position	9.1" (231 mm)	31.5x13-16.5	59.4" (1509 mm)

PERFORMANCE

Rated Operating Capacity (SAE J732)	1300 lbs. (590 kg)
Rated Operating Capacity with Counterweight option	1400 lbs. (635 kg)
Tipping Load (SAE)	2634 lbs. (1195 kg)
Operating Weight (SAE)	5235 lbs. (2375 kg)
Travel Speed	7.3 mph (11,8 km/hr)
Lift Breakout Force (SAE)	2800 lbs. (1270 kg)
Tilt Breakout Force (SAE)	3000 lbs. (1361 kg)
Push Force	3400 lbs. (1542 kg)

Bobcat S130 Skid-Steer Loader Specifications



ENGINE/ELECTRICAL

Make/Model	Kubota/V2403-MDI-E3
Fuel/Cooling	Diesel/Liquid
Horsepower (SAE Gross)	49 HP (36 kW)
Maximum Governed RPM	2700 RPM
Torque @ 1650 RPM (SAE Net)	109.6 ft. -lbs. (148,6 Nm)
Number of Cylinders	4
Displacement	148.5 cu. in. (2,4 L)
Bore/Stroke	3.43 in./4.03 in. (87 mm/102 mm)
Fuel Consumption	1.8 gph (6,8L/h)
	Estimated fuel consumption is based on testing by Bobcat Company in high duty cycle digging applications.
Lubrication	Gear Pump Pressure System with Filter
Fuel Injection System	Direct
Crankcase Ventilation	Closed, breathing
Air Cleaner	Replaceable dry paper cartridge with separate safety element
Ignition	Compression (Diesel)
Engine Coolant	Propylene glycol/water mix (53%-47%) with freeze protection to -34 °F (-37 °C)
Starting Aid	Glow plugs
Alternator	90 amps; ventilated
Battery	12 volt; 600 cold cranking amps @ 0 °F (-18 °C); 115 minute reserve capacity @ 25 amps
Starter	12 volt; gear reduction type; 4.02 HP (3,0 kW)

HYDRAULIC SYSTEM

Pump Type	Engine driven, gear type
Pump Capacity	16.9 GPM (64 L/min) @ 3135 Pump RPM
System Relief @ Quick Couplers	2650 - 2750 PSI (183 - 190 Bar)
Hydraulic Filter	Full flow replaceable, 3 micron synthetic media element
Hydraulic Cylinders	Double-acting; tilt cylinders have cushioning feature on dump & rollback
Control Valve	3-Spool, open center type with spring detent on lift, electric solenoid valves for auxiliary spool
Fluid Type	Bobcat Hydraulic/Hydrostatic Fluid (P/N 6563328) Motor oil is not an acceptable alternative fluid.
<i>Bore Diameter</i>	
Lift Cylinder (2)	2.00 in. (50,8 mm)
Tilt Cylinder (1)	3.50 in. (88,9 mm)
<i>Rod Diameter</i>	
Lift Cylinder (2)	1.25 in. (31,8 mm)
Tilt Cylinder (1)	1.50 in. (38,1 mm)
<i>Stroke</i>	
Lift Cylinder (2)	26.57 in. (674,9 mm)
Tilt Cylinder (1)	14.50 in. (368,3 mm)
<i>Hydraulic Function Times</i>	
Raise Lift Arms	2.7 Seconds
Lower Lift Arms	1.8 Seconds
Bucket Dump	2.2 Seconds
Bucket Rollback	1.9 Seconds

Bobcat S130 Skid-Steer Loader Specifications



DRIVE SYSTEM

Main Drive	Fully hydrostatic, 4-wheel drive
Transmission	Infinitely variable tandem hydrostatic piston pumps, driving two fully reversing hydrostatic motors
Final Drive Chains	Pre-stressed #80 HSOC endless roller chain (no master link) and sprockets in sealed chaincase with oil lubrication. Chains do not require periodic adjustments. Two chains per side with no idler sprocket
Axle Size	2.0 in. (50,8 mm) heat treated
Wheel Bolts	(8) 9/16 in. wheel bolts fixed to axle hubs

CAPACITIES

Fuel Tank	13.3 gals. (50,4 L)
Cooling System without Heater	9.8 qts. (9,18 L)
Engine Oil with Filter	9.5 qts. (9,0 L)
Hydraulic Reservoir	14 qts. (13,2 L)
Hydraulic/Hydrostatic System	6 gals. (22,0 L)
Chaincase Reservoir	8 gals. (30,0 L)

CONTROLS

Vehicle Steering	Direction and speed controlled by two hand levers
Loader Hydraulics	
Lift & Tilt	Controlled by separate foot pedals or optional Advanced Control System (ACS)
Front Auxiliary (Std.)	Controlled by electrical switch on Right Hand steering lever
Rear Auxiliary (Opt.)	Controlled by electrical switch on Left Hand steering lever
Auxiliary Pressure Release ..	Pressure is relieved through the coupler block, push in and hold for five seconds
Engine	Hand lever throttle; key-type starter switch and shutdown
Starting Aid	Glow Plugs – automatically activated by Standard or Deluxe Instrument Panel
Service Brake	Two independent hydrostatic systems controlled by two hand operated steering levers
Secondary Brake	One of the hydrostatic transmissions
Parking Brake	Mechanical disk, hand operated rocker switch on dash panel

SERVICEABILITY

Access is available to the following through the rear door/tailgate and rear screen

- Air cleaner
- Alternator
- Battery
- Cooling system (radiator and hydraulic oil cooler) for cleaning
- Engine oil and fuel filters
- Engine oil drain and dipstick
- Starter

- Axle hubs provide protection for the axle seals
 - Bobtach pivots have replaceable wear bushings
 - Easy access to all lift arm grease points
 - Rod end of the tilt cylinder has a replaceable bushing
 - Tailgate has an optional lock for vandal proofing
 - Tailgate is equipped with door stop to hold door open while servicing
 - Tip-up operator cab gives access to certain hydraulic system components
-

Bobcat S130 Skid-Steer Loader Specifications

INSTRUMENTATION



The following loader functions are monitored by a combination of gauges and warning lights in the operator's line of sight. The system shall alert the operator of monitored loader malfunctions by way of an audible alarm and visual warning lights.

Standard Instrument Panel

Gauges

Engine Coolant Temperature
Fuel
Hourmeter

Indicators

Attachment Control Device
BICS Functions
Glow Plugs

Warning Lights

Advanced Control System (ACS)
Engine Air Filter
Engine Coolant Temperature
Engine Oil Pressure
General Warning
Hydraulic Filter
Hydraulic Oil Temperature
Hydrostatic Charge Pressure
Seat Belt
System Voltage

Deluxe Instrument Panel (Option)

Same gauges, warning lights and other features as Standard Instrument Panel plus:

Bar-type gauges Engine Oil Pressure, System Voltage, Hydrostatic Charge Pressure and Hydraulic Oil Temperature

Additional features Keyless Start with password capability, Digital Clock, Job Clock, Attachments Information, Digital Tachometer, Multi-Language Display, Help Screens, Diagnostic Capability & Engine/Hydraulic Systems Shutdown Function

ATTACHMENTS

Angle Broom*	Dumping Hopper	Scarifier	Tilt-Tatch
Auger	Grapple, Farm/Utility	Seeder	Tracks, Steel
Backhoe	Grapple, Industrial	Snow Blade	Trench Compactor
Brush Saw	Grader*	Snow V-Blade*	Trencher
Brushcat Rotary Cutter	Hydraulic Breaker	Snowblower*	Utility Forks
Buckets	Landplane	Sod Layer	Utility Frame
Bucket Adapter	Landscape Rake	Soil Conditioner*	Vibratory Roller
Chipper*	Mower	Spreader	Water Kit
Combination Bucket	Pallet Fork - Standard	Super Scraper	Whisker Broom
Concrete Mixer*	Pallet Fork - Hydraulic	Sweeper	
Digger	Planer	Three-Point Hitch	
Dozer Blade	Rear Stabilizer	Tiller	

See **Bobcat Product Price List** for specific attachment model availability.

*Requires Attachment Control Kit

Bobcat S130 Skid-Steer Loader Specifications



FACTORY OPTIONS

Advanced Control System (ACS)
Selectable Joystick Control (SJC)
Back-up Alarm and Horn

Engine Block Heater
Hydraulic Bucket Positioning

DEALER ACCESSORIES

Attachment Control Kit
Back-up Alarm
Cab Accessory Harness
Cab Enclosure
Catalytic Exhaust Purifier
Fire Extinguisher Kit
FOPS Kit - Level II**

Four-point Lift Kit
Four-Way Flasher Light Kit
Horn
Hydraulic Bucket Positioning
Locking Fuel Cap
Power Bob-Tach
Radio

Rear Auxiliary Hydraulics
Ride Control
Rotating Beacon Light
Side Windows Kit
Single-point Lift Kit
Special Applications Kit
Strobe Light Kit
Tailgate Lock Kit

HEATED CAB PACKAGES

H71 Option Package

Cab Enclosure with Heat
Power Bobtach
Sound Reduction
Suspension Seat
Deluxe Instrumentation Panel
Cab Accessory Harness
Attachment Control Kit

H51 Option Package

Cab Enclosure with Heat
Power Bobtach
Suspension Seat
Cab Accessory Harness

H31 Option Package

Cab Enclosure with Heat
Suspension Seat
Cab Accessory Harness

OPEN CAB PACKAGES

O71 Option Package

Power Bobtach
Suspension Seat
Deluxe Instrumentation Panel
Cab Accessory Harness
Attachment Control Kit

O51 Option Package

Suspension Seat
Cab Accessory Harness
Deluxe Instrumentation Panel

O31 Option Package

Suspension Seat
Cab Accessory Harness

Bobcat S130 Skid-Steer Loader Specifications

SAFETY



Bobcat Interlock Control System (BICS) (Std.)	Requires the operator to be seated in the loader with the seat bar in place and the engine running. After the operator presses the "Press to Operate Loader" button, the loader's hydraulic lift and tilt functions and traction drive system can be operated.
Lift Arm Bypass Control (Std.)	Used to lower the lift arms in the event that the lift arms cannot be lowered during normal operating conditions.
Seat Belt (Std.)	Should always be worn when operating the loader.
Seat Bar (Std.)	Secondary operator restraint, also serves as an arm rest.
Operator Cab (Std.)	An enclosable operator cab with side screens with a minimal inside cab width of 33" (838 mm) as standard equipment. Meets SAE J1040 and ISO 3471 for Roll Over Protective Structure (ROPS) and SAE J1043 and ISO 3449 Level I for Falling Object Protective Structure (FOPS). Level II option is available.

Level I – Acceptance is intended for protection from falling bricks, small concrete blocks and hand tools encountered in operations such as highway maintenance, landscaping and other construction site services.

Level II – Acceptance is intended for protection from falling trees or rocks for machines involved in site clearing, overhead demolition or forestry.

Lift Arm Support (Std.)	Use for servicing when lift arms are raised
Parking Brake (Std.)	Always set brake when leaving loader
Grab Handles (Std.)	Should always be used when entering/exiting loader
Safety Tread (Std.)	Slip resistant tread on lift arms and main frame to be used when entering/exiting loader
Attachment Steps (Std.)	Should always be used when entering/exiting loader
Rear Window (Std.)	For emergency exit
Front & Rear Working Lights (Std.)	Use for indoor and low light operation
Backup Alarm (Opt.)	For use in jobs with low visibility
Lift Kits (Opt.)	Lift kits are available so loader may be lifted into remote areas
Special Applications Kit (Opt.)	Restricts objects and material from entering cab openings
Operator's Handbook (Std.)	Weather resistant operator handbook written in English will be attached to inside of cab, providing operational instructions and warnings by decals with pictorials and international symbols plus some messages in four basic languages: English, French, German and Spanish.



Your Dealer:
Forkliftcenter B.V.
Hornweg 18
1045 AR Amsterdam
The Netherlands

TRAINING RESOURCES

These optional videotapes and training courses are available through Bobcat Parts

Bobcat Skid-Steer Loader Operator Training Course

4-hour course provides video, classroom and hands-on training (also available in Spanish)

Bobcat Skid-Steer Loader Service Safety Training Course

2-hour course provides video, classroom and hands-on training

Bobcat Skid-Steer Loader Safety Video

Short and to-the-point video provides basic safety instructions for the Skid-Steer Loader
