

# VOLVO PENTA INDUSTRIAL DIESEL

# TAD560-561VE

TAD560-561VE is a powerful, reliable and economical Versatile Diesel Engine range.

## Low cost of ownership

World class fuel efficiency combined with a reliable engine after treatment system gives high uptime as well as low cost of ownership. No downtime for regeneration or decreased service intervals compared with current engine program.

## Compact and simple installation

SCR technology selected by Volvo does not increase amount of cooling capacity needed. As optional equipment all material needed in order to install the engine can be ordered from Volvo Penta. Installation guidelines as well as drawings and CAD models are easy to access. The result is an engine and after treatment system that is easy to install with minor impact on existing machine layout.

## Durability & low noise

Long experience with SCR systems in combination with base engine development reduces risk of downtime. Well-balanced to produce smooth and vibration-free operation with low noise

## Power and torque

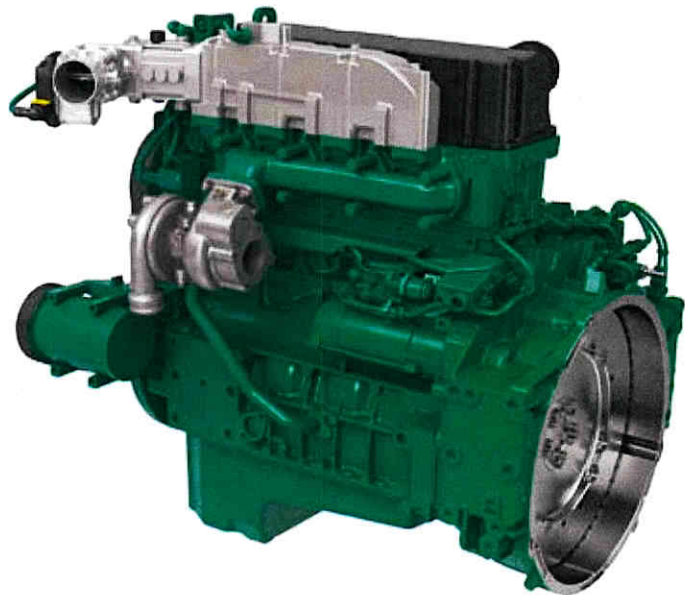
Maximum power and torque available at low rpm. As a result noise as well as fuel consumption is very low. Useful engine speed for the TAD560-561VE is due to power and torque layout very flexible.

## Low exhaust emission

Efficient injection as well as robust engine design in combination with SCR technology contributes to excellent combustion and low fuel consumption. TAD560-561VE complies with EU Stage 3b / EPA Tier 4i emissions.

## Easy service & maintenance

Easily accessible service and maintenance points contribute to the ease of service of the engine. As optional equipment possible to remote mount filters and service points.



## Features & Benefits

- Low cost of ownership and operation due to SCR technology
- Proven and straight-forward design
- Compact and simple installation
- High power and torque available at low engine speed
- Complies with EU Stage 3b / EPA Tier 4i
- Wide range of optional equipment, please see order specification

## Technical description

### Engine and block

- Cast iron cylinder block
- Wet, replaceable cylinder liners
- Replaceable valve guides and valve seats
- Over head camshaft and four valves per cylinder

### Lubrication system

- Full flow cartridge insert filter
- Gear type lubricating oil pump, gear driven by the transmission

### Fuel system

- Common rail
- Gear driven fuel feed pump
- Fuel prefilter with water separator and water-in-fuel indicator / alarm
- Fine fuel filter of cartridge, insert type
- Manual feed pump on pre filter

### Cooling system

- Belt driven coolant pump with high degree of efficiency

### Turbo charger

- Waste-gate controlled turbo

### Electrical system

- Engine Management System 2 (EMS 2), an electronically controlled processing system which optimizes engine performance.
- The instruments and controls connect to the engine via the CAN SAE J1939 interface. Options for engine control equipment

### Engine after treatment system

- Emission levels compliance through SCR technology
- Several DEF tanks available as options
- Possibility to offer a wide range of installation material needed

**VOLVO**  
**PENTA**

# TAD560-561VE

## Technical Data

### General

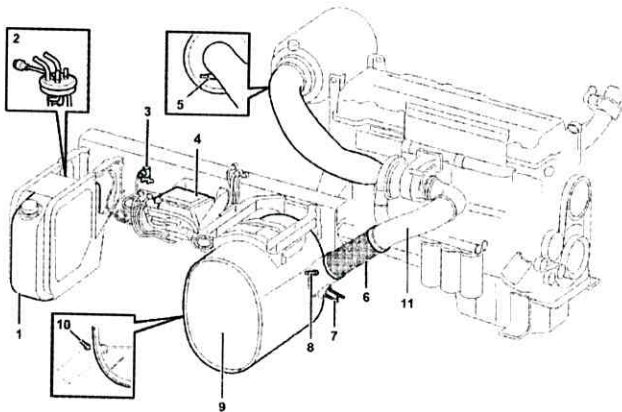
Engine designation .....	TAD560-561VE
No. of cylinders and configuration .....	in-line 4
Method of operation .....	4-stroke
Bore, mm (in.) .....	108 (4.25)
Stroke, mm (in.) .....	130 (5.12)
Displacement, l (in <sup>3</sup> ) .....	4.76 (291)
Compression ratio .....	17.3
Wet weight, engine only, kg (lb) .....	500 (1102)
Oil system capacity incl filters, liter (US gal) .....	27 (7.13)

Engine	kW	Hp	rpm	Nm
TAD560VE	129	175	2300	663
TAD561VE	155	212	2300	816

For details see Technical Data

## Main components, Principal layout

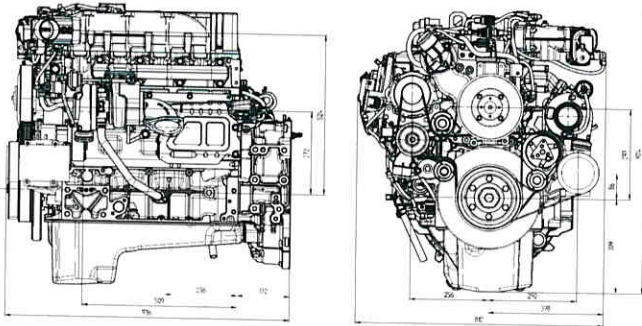
The illustration shows the main components of the after treatment system and its piping connections.



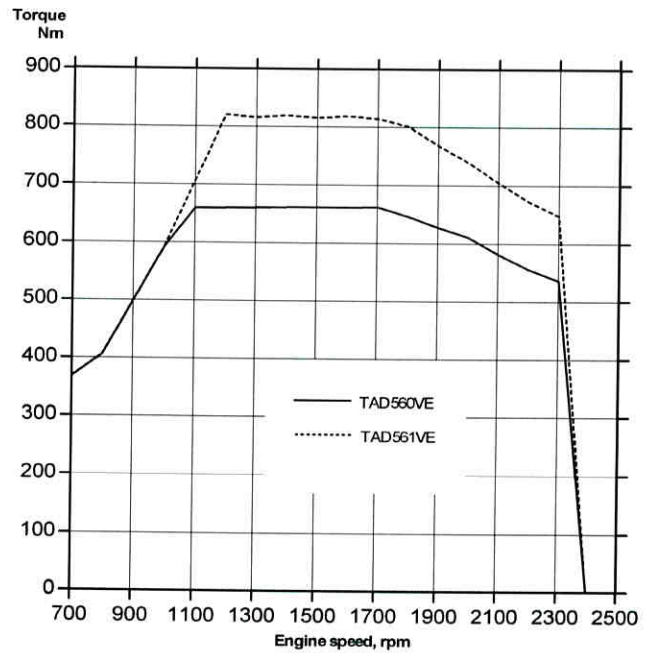
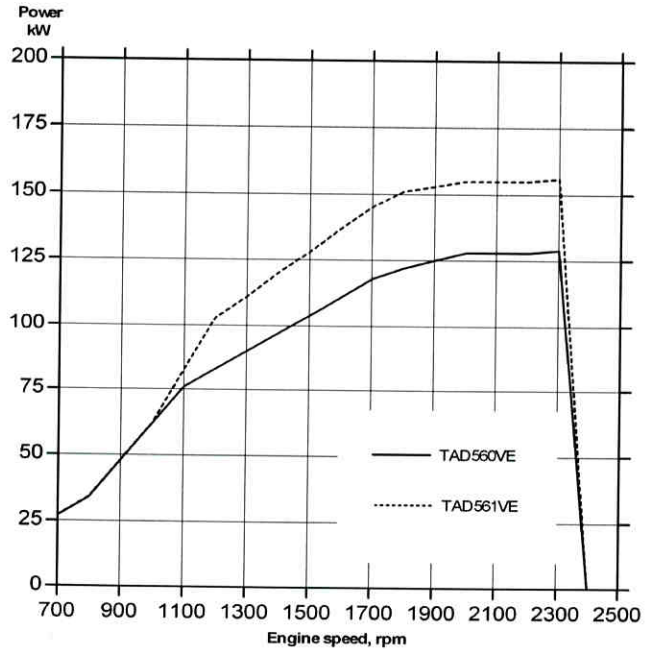
- |                             |                                    |
|-----------------------------|------------------------------------|
| 1 DEF tank                  | 7 Dosing Module (DM)               |
| 2 Heat, level, consumption  | 8 Temperature sensor               |
| 3 Warm-up valve             | 9 SCR muffler                      |
| 4 Supply Module (SM)        | 10 NOx sensor, exhaust pipe outlet |
| 5 Temp sensor               | 11 Pre cat                         |
| 6 Flexible hose (stainless) |                                    |

## Dimensions TAD560-561VE

Not for installation



Notel Not all models, standard equipment and accessories are available in all countries.  
All specifications are subject to change without notice.  
The engine illustrated may not be entirely identical to production standard engines.



## Power Standards

The engine performance corresponds to ISO 3046, BS 5514 and DIN 6271. The technical data applies to an engine without cooling fan and operating on a fuel with calorific value of 42.7 MJ/kg (18360 BTU/lb) and a density of 0.84 kg/litre (7.01 lb/US gal, 8.42 lb/Imp gal), also where this involves a deviation from the standards.

# VOLVO PENTA