

FORTENS™



**STRONG PARTNERS.
TOUGH TRUCKS.™**



IC COUNTERBALANCED LIFT TRUCKS

H4.0-5.5FT FORTENS ADVANCE / FORTENS ADVANCE+

4 000-5 500 KG



FORTENS ADVANCE & FORTENS ADVANCE+ H5.0FT, H5.5FT

DISTINGUISHING MARKS	1.1	Manufacturer (abbreviation)	
	1.2	Manufacturer's type designation	
		Model	
		Engine	
		Transmission	
	Brake type		
1.3	Drive: electric (battery or mains), diesel, petrol, LPG		
1.4	Operator type: hand, pedestrian, standing, seated, order-picker		
1.5	Rated capacity/rated load	Q (t)	
1.6	Load centre distance	c (mm)	
1.8	Load distance, centre of drive axle to fork	x (mm)	
1.8.1	Load distance, centre of drive axle to fork (ISS Carriage)	x (mm)	
1.9	Wheelbase	y (mm)	

WEIGHTS	2.1	Service weight	kg
	2.2	Axle loading, laden front / rear	kg
	2.3	Axle loading, unladen front / rear	kg

TYRES/CHASSIS	3.1	Tyres: L = pneumatic, V = cushion, SE = Pneumatic Shape Solid	
	3.2	Tyre size, front	
	3.3	Tyre size, rear	
	3.5	Wheels, number front / rear (x = driven wheels)	
	3.6	Tread, front	b ₁₀ (mm)
	3.7	Tread, rear	b ₁₁ (mm)

DIMENSIONS	4.1	Tilt of mast/fork carriage forward/backward	α / β (°)
	4.2	Height, mast lowered	h ₁ (mm)
	4.3	Free lift †	h ₂ (mm)
	4.4	Lift †	h ₃ (mm)
	4.5	Height, mast extended †	h ₄ (mm)
	4.7	Height of overhead guard (cabin)	h ₅ (mm)
	4.8	Seat height/stand height ○	h ₆ (mm)
	4.12	Coupling height	h ₁₀ (mm)
	4.19	Overall length	l ₁ (mm)
	4.20	Length to face of forks (Standard Carriage)	l ₂ (mm)
	4.20.1	Length to face of forks (ISS Carriage)	l ₂ (mm)
	4.21	Overall width *	b ₁ (mm)
	4.22	Fork dimensions ISO 2331	s/e/l (mm)
	4.23	Fork carriage ISO 2328, class/type A, B	
	4.24	Fork carriage width ●	b ₂ (mm)
	4.24.1	Fork carriage width (ISS Carriage) ●	b ₂ (mm)
	4.31	Ground clearance, laden, below mast	m ₁ (mm)
	4.32	Ground clearance, centre of wheelbase	m ₂ (mm)
	4.33	Load dimension b ₁₂ × l ₂ crossways	b ₁₂ × l ₂ (mm)
	4.34	Aisle width predetermined load dimensions ◆	A ₁ (mm)
	4.34.1	Aisle width for pallets 1000 × 1200 crossways ◆	A ₁ (mm)
	4.34.2	Aisle width for pallets 800 × 1200 crossways ◆	A ₁ (mm)
	4.35	Turning radius	W ₁ (mm)
4.36	Internal turning radius	b ₁₃ (mm)	
4.41	90° intersecting aisle (with pallet L = 1000mm x W = 1200mm)	(mm)	
4.42	Step height (from ground to running board)	(mm)	
4.43	Step height (between intermediate steps and floor)	(mm)	

PERFORMANCE DATA	5.1	Travel speed, laden/unladen	km/h
	5.1.1	Travel speed, laden/unladen, backwards	km/h
	5.2	Lift speed, laden/unladen	m/s
	5.3	Lowering speed, laden/unladen	m/s
	5.5	Drawbar pull, laden/unladen ■	N
	5.7	Gradeability, laden/unladen †	%
	5.9	Acceleration time, laden/unladen ⇄	s
5.10	Service brake		

7.5	Fuel consumption according to VDI cycle	l/h or kg/h
-----	---	-------------

8.1	Type of drive unit	
-----	--------------------	--

ADDITIONAL DATA	10.1	Operating pressure for attachments	bar
	10.2	Oil volume for attachments †	l/min
	10.3	Hydraulic oil tank, capacity	l
	10.4	Fuel tank, capacity	l
	10.7	Sound pressure level at the driver's seat ●, ◇	dB (A)
	10.7.1	Sound power level during the workcycle ◆	dB (A)
	10.7.2	Guaranteed sound power 2001/14/EC	dB (A)
	10.8	Towing coupling, type DIN	

EQUIPMENT AND WEIGHT: Specification data based on 3050mm (H4.0FT5 - H4.0FT6) / 2800mm (H4.5FT5 - H5.5FT) TOF 2 stage LFL mast with standard carriage, 1000mm (H4.0FT5) / 1200mm (H4.0FT6 - H5.5FT) forks with e-hydraulics.

HYSTER	HYSTER	HYSTER	HYSTER	HYSTER	HYSTER
H5.0FT	H5.0FT	H5.0FT	H5.5FT	H5.5FT	H5.5FT
Fortens Advance	Fortens Advance	Fortens Advance+	Fortens Advance	Fortens Advance	Fortens Advance+
Kubota 3.8L	Kubota 3.8L	Kubota 3.8L	Kubota 3.8L	Kubota 3.8L	Kubota 3.8L
DuraMatch™ 1-speed	DuraMatch™ 2-speed	DuraMatch™ 2-speed	DuraMatch™ 1-speed	DuraMatch™ 2-speed	DuraMatch™ 2-speed
Premium Wet Brakes	Premium Wet Brakes	Premium Wet Brakes	Premium Wet Brakes	Premium Wet Brakes	Premium Wet Brakes
diesel	diesel	diesel	diesel	diesel	diesel
seated	seated	seated	seated	seated	seated
5.0	5.0	5.0	5.5	5.5	5.5
600	600	600	600	600	600
591	591	591	591	591	591
608	608	608	608	608	608
2100	2100	2100	2100	2100	2100

7520	7520	7520	7811	7811	7811
11041	1478	11041	1478	11041	1478
3206	4314	3206	4314	3206	4314

SE	SE	SE	SE	SE	SE
300x15	300x15	300x15	300x15	300x15	300x15
28x9-15	28x9-15	28x9-15	28x9-15	28x9-15	28x9-15
2x 2	2x 2	2x 2	2x 2	2x 2	2x 2
1150	1150	1150	1150	1150	1150
1162	1162	1162	1162	1162	1162

6	10	6	10	6	10	6	10	6	10	6	10
2215	2215	2215	2215	2215	2215	2215	2215	2215	2215	2215	2215
100	100	100	100	100	100	100	100	100	100	100	100
2740	2740	2740	2740	2740	2740	2740	2740	2740	2740	2740	2740
3730	3730	3730	3730	3730	3730	3730	3730	3730	3730	3730	3730
2300	2300	2300	2300	2300	2300	2300	2300	2300	2300	2300	2300
1321	1321	1321	1321	1321	1321	1321	1321	1321	1321	1321	1321
429	429	429	429	429	429	429	429	429	429	429	429
4500	4500	4500	4541	4541	4541	4541	4541	4541	4541	4541	4541
3300	3300	3300	3341	3341	3341	3341	3341	3341	3341	3341	3341
3317	3317	3317	3358	3358	3358	3358	3358	3358	3358	3358	3358
1450	1575	1875	1450	1575	1875	1450	1575	1875	1450	1575	1875
60	150	1200	60	150	1200	60	150	1200	60	150	1200
IVA	IVA	IVA	IVA	IVA	IVA	IVA	IVA	IVA	IVA	IVA	IVA
1219	1219	1219	1219	1219	1219	1219	1219	1219	1219	1219	1219
1372	1372	1372	1372	1372	1372	1372	1372	1372	1372	1372	1372
194	194	194	194	194	194	194	194	194	194	194	194
237	237	237	237	237	237	237	237	237	237	237	237
1200 x 1000	1200 x 1000	1200 x 1000	1200 x 1000	1200 x 1000	1200 x 1000	1200 x 1000	1200 x 1000	1200 x 1000	1200 x 1000	1200 x 1000	1200 x 1000
4077	4077	4077	4115	4115	4115	4115	4115	4115	4115	4115	4115
4277	4277	4277	4315	4315	4315	4315	4315	4315	4315	4315	4315
4277	4277	4277	4315	4315	4315	4315	4315	4315	4315	4315	4315
2877	2877	2877	2915	2915	2915	2915	2915	2915	2915	2915	2915
800	800	800	800	800	800	800	800	800	800	800	800
2469	2469	2469	2490	2490	2490	2490	2490	2490	2490	2490	2490
441	441	441	441	441	441	441	441	441	441	441	441
360	360	360	360	360	360	360	360	360	360	360	360

18.7	19.2	23.2	23.9	23.2	23.9	18.6	19.2	22.9	23.9	22.9	23.9
18.7	19.2	18.7	19.2	18.7	19.2	18.6	19.2	18.6	19.2	18.6	19.2
0.45	0.46	0.45	0.46	0.45	0.46	0.45	0.46	0.45	0.46	0.45	0.46
0.51	0.42	0.51	0.42	0.51	0.42	0.51	0.42	0.51	0.42	0.51	0.42
27458	18399	32859	18399	32859	18399	27302	17976	32703	17976	32703	17976
23.3	26.5	28.3	26.5	28.3	26.5	21.7	24.8	26.3	24.8	26.3	24.8
5.4	4.5	5.5	4.6	5.5	4.6	5.6	4.5	5.6	4.7	5.6	4.7
Hydraulic	Hydraulic	Hydraulic	Hydraulic	Hydraulic	Hydraulic	Hydraulic	Hydraulic	Hydraulic	Hydraulic	Hydraulic	Hydraulic

5.40	5.80	5.80	5.80	6.20	6.20
------	------	------	------	------	------

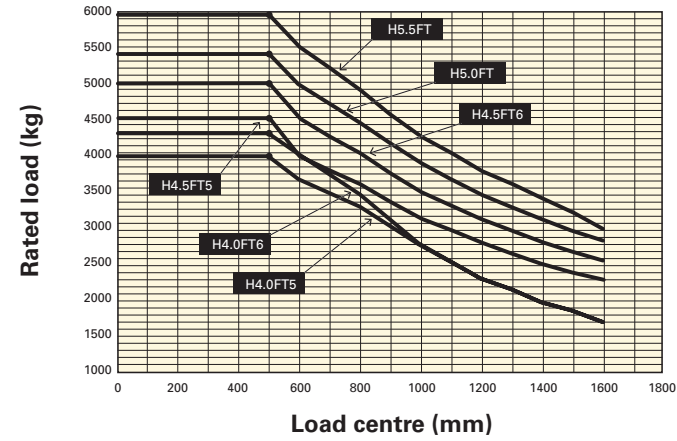
Hydrodynamic	Hydrodynamic	Hydrodynamic	Hydrodynamic	Hydrodynamic	Hydrodynamic
--------------	--------------	--------------	--------------	--------------	--------------

155	155	155	155	155	155
83.3	83.3	83.3	83.3	83.3	83.3
67.8	67.8	67.8	67.8	67.8	67.8
100.3	100.3	100.3	100.3	100.3	100.3
79	79	79	79	79	79
99	99	99	99	99	99
103	103	103	103	103	103
Pin	Pin	Pin	Pin	Pin	Pin

TRUCK DIMENSIONS

RATED CAPACITIES

WITH STANDARD CARRIAGE

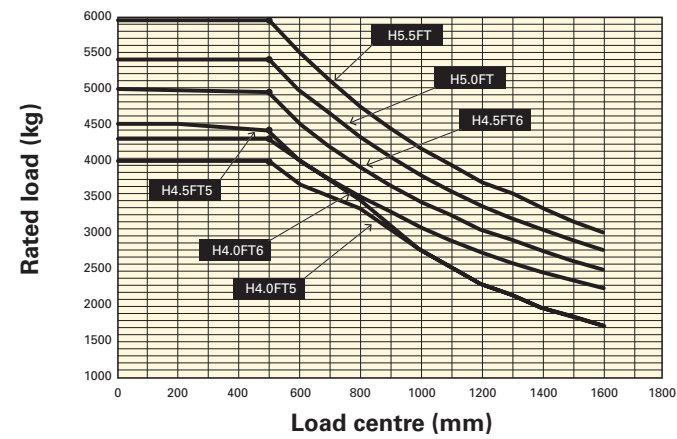


Load centre – Distance from front of forks to centre of gravity of load.

Rated load – Based on vertical masts up to 3 050 mm (H4.0FT) and 4 000 mm (H4.5-5.5FT).

Load center (mm)	H4.0FT5	H4.0FT6	H4.5FT5	H4.5FT6	H5.0FT	H5.5FT
0	4000	4300	4500	5000	5400	5950
200	4000	4300	4500	5000	5400	5950
500	4000	4300	4500	5000	5400	5950
600	3670	4000	4000	4500	5000	5500
800	3310	3450	3610	4030	4460	4900
1000	2760	2760	3150	3520	3900	4280
1200	2300	2300	2800	3130	3460	3800
1400	1970	1970	2520	2810	3110	3420
1600	1720	1720	2290	2560	2830	3000

WITH SIDESHIFT CARRIAGE



Load centre – Distance from front of forks to centre of gravity of load.

Rated load – Based on vertical masts up to 3 050 mm (H4.0FT) and 4 000 mm (H4.5-5.5FT).

Load center (mm)	H4.0FT5	H4.0FT6	H4.5FT5	H4.5FT6	H5.0FT	H5.5FT
0	4000	4300	4500	5000	5400	5950
200	4000	4300	4500	5000	5400	5950
500	4000	4300	4440	4970	5400	5950
600	3670	4000	4000	4500	5000	5500
800	3320	3450	3500	3920	4340	4770
1000	2760	2760	3070	3430	3800	4180
1200	2300	2300	2730	3050	3380	3720
1400	1970	1970	2460	2750	3050	3350
1600	1720	1720	2240	2500	2770	3000

Specification data based on 3050mm (H4.0FT5 - H4.0FT6) / 2800mm (H4.5FT5 - H5.5FT) TOF 2 stage LFL mast with standard carriage, load backrest, 1000mm (H4.0FT5) / 1200mm (H4.0FT6 - H5.5FT) forks, and pneumatic shaped solid tyres.

NOTE:

MAST AND CAPACITY INFORMATION

MASTS H4.0FT5/H4.0FT6

	Maximum fork height (mm)	Tilt F	Tilt B	Overall lowered height (mm)	Overall extended height (mm) ▽	Overall extended height (mm) ✦	Free lift (top of forks) (mm) ▽
2-Stage Limited Free Lift	3050	6	10	2175	3815	4300	150
	3650	6	10	2475	4415	4900	150
	4250	6	10	2775	5015	5500	150
	4950	6	6	3225	5715	6200	150
2-Stage Full Free Lift	3075	6	10	2175	3890	4325	1355
	3675	6	10	2475	4490	4925	1655
3-Stage Full Free Lift	4415	6	6	2175	5225	5665	1355
	4950	6	6	2375	5765	6200	1555
	5250	6	6	2475	6065	6500	1655
	5550	6	6	2575	6365	6800	1755
6000	6	6	2775	6815	7250	1955	

MASTS H4.5FT5-H5.5FT

	Maximum fork height (mm)	Tilt F	Tilt B	Overall lowered height (mm)	Overall extended height (mm) ▽	Overall extended height (mm) ✦	Free lift (top of forks) (mm) ▽
2-Stage Limited Free Lift	2800	6	10	2215	3730	4065	160
	3400	6	10	2515	4330	4665	160
	4000	6	10	2815	4930	5265	160
	4700	6	6	3265	5630	5965	160
	5300	6	6	3665	6230	6565	160
	5900	6	6	4065	6830	7165	160
2-Stage Full Free Lift	2825	6	10	2215	3810	4090	1230
	3425	6	10	2515	4410	4690	1530
3-Stage Full Free Lift	4145	6	6	2215	5130	5415	1230
	5000	6	6	2515	5985	6265	1530
	5300	6	6	2615	6285	6565	1630

H4.0FT5-H4.0FT6 – Capacity chart in kg

	Maximum fork height (mm)	Pneumatic Shaped Solid Tyres										
		Without sideshift					Maximum fork height (mm)	With integral sideshift				
		H4.0FT5		H4.0FT6				H4.0FT5		H4.0FT6		
		500 LC	600 LC	700 LC	600 LC	700 LC		500 LC	600 LC	700 LC	600 LC	700 LC
2-Stage Limited Free Lift	3050	4000	3670	3580	4000	3890	3050	4000	3670	3470	4000	3770
	3650	4000	3670	3570	4000	3870	3650	4000	3670	3460	4000	3750
	4250	4000	3670	3550	4000	3860	4250	4000	3670	3440	4000	3740
	4950	3880	3560	3430	3890	3720	4950	3880	3560	3320	3890	3610
2-Stage Full Free Lift	3075	4000	3670	3450	4000	3750	3075	4000	3670	3400	4000	3690
	3675	4000	3670	3440	4000	3730	3675	4000	3650	3380	3990	3670
3-Stage Full Free Lift	4415	4000	3670	3430	4000	3720	4415	3970	3630	3350	3950	3640
	4950	3880	3560	3310	3880	3600	4950	3840	3510	3230	3820	3520
	5250	3800	3490	3240	3810	3530	5250	3760	3440	3170	3740	3450
	5550	3730	3420	3170	3740	3450	5550	3670	3360	3090	3660	3370
6000	3600	3290	3050	3620	3330	6000	3530	3230	2980	3530	3250	

H4.5FT5-H4.5FT6 – Capacity chart in kg

	Maximum fork height (mm)	Pneumatic Shaped Solid Tyres										
		Without sideshift					Maximum fork height (mm)	With integral sideshift				
		H4.5FT5		H4.5FT6				H4.5FT5		H4.5FT6		
		500 LC	600 LC	700 LC	600 LC	700 LC		500 LC	600 LC	700 LC	600 LC	700 LC
2-Stage Limited Free Lift	2800	4500	4000	3890	4500	4340	2800	4440	4000	3770	4500	4210
	3400	4500	4000	3870	4500	4330	3400	4420	4000	3750	4500	4200
	4000	4500	4000	3860	4500	4310	4000	4410	4000	3740	4500	4180
	4700	4380	3900	3730	4390	4180	4700	4260	3900	3620	4390	4060
	5300	4230	3760	3580	4250	4030	5300	4090	3750	3470	4230	3910
	5900	4040	3620	3420	4100	3860	5900	3900	3580	3310	4050	3740
2-Stage Full Free Lift	2825	4500	4000	3860	4500	4310	2825	4410	4000	3740	4500	4180
	3425	4500	4000	3840	4500	4290	3425	4390	4000	3720	4500	4170
3-Stage Full Free Lift	4145	4500	4000	3820	4500	4270	4145	4370	4000	3700	4490	4150
	5000	4300	3820	3630	4310	4080	5000	4150	3810	3520	4290	3960
	5300	4210	3750	3560	4240	4000	5300	4070	3730	3450	4210	3890

H5.0FT-H5.5FT – Capacity chart in kg

	Maximum fork height (mm)	Pneumatic Shaped Solid Tyres								
		Without sideshift				Maximum fork height (mm)	With integral sideshift			
		H5.0FT		H5.5FT			H5.0FT		H5.5FT	
		600 LC	700 LC	600 LC	700 LC		600 LC	700 LC	600 LC	700 LC
2-Stage Limited Free Lift	2800	5000	4810	5500	5280	2800	5000	4670	5500	5130
	3400	5000	4790	5500	5260	3400	5000	4650	5500	5120
	4000	5000	4780	5500	5250	4000	5000	4640	5500	5100
	4700	4890	4640	5380	5110	4700	4880	4510	5370	4970
	5300	4740	4480	5230	4940	5300	4700	4350	5190	4800
	5900	4570	4300	5050	4750	5900	4520	4170	5000	4620
2-Stage Full Free Lift	2825	5000	4770	5500	5250	2825	5000	4640	5500	5100
	3425	5000	4760	5500	5230	3425	5000	4620	5500	5080
3-Stage Full Free Lift	4145	5000	4740	5500	5210	4145	4990	4610	5490	5070
	5000	4800	4530	5290	5000	5000	4770	4410	5260	4860
	5300	4730	4450	5210	4920	5300	4690	4330	5170	4780

NOTES

Values shown are for standard equipment. When using non-standard equipment, these values may change. Please contact your Hyster dealer for information.

The rated capacities shown are for masts in a vertical position on trucks equipped with standard or sideshift carriage, and nominal length forks. Masts above the maximum fork heights shown in the mast table are classified as high lift, and depending on the tyre/tread configuration may require reduced capacity, restricted back tilt or wide tread.

Specification data based on standard carriage, load backrest, and 1000mm (H4.0FT) / 1200mm (H4.0FT6 - H5.5FT) forks.

MAST AND CAPACITY INFORMATION

MASTS H4.0FT5/H4.0FT6

	Maximum fork height (mm)	Tilt F	Tilt B	Overall lowered height (mm)	Overall extended height (mm) ▽	Overall extended height (mm) ✦	Free lift (top of forks) (mm) ▽
2-Stage Limited Free Lift	3050	6	10	2175	3815	4300	150
	3650	6	10	2475	4415	4900	150
	4250	6	10	2775	5015	5500	150
	4950	6	6	3225	5715	6200	150
2-Stage Full Free Lift	3075	6	10	2175	3890	4325	1355
	3675	6	10	2475	4490	4925	1655
3-Stage Full Free Lift	4415	6	6	2175	5225	5665	1355
	4950	6	6	2375	5765	6200	1555
	5250	6	6	2475	6065	6500	1655
	5550	6	6	2575	6365	6800	1755
6000	6	6	2775	6815	7250	1955	

MASTS H4.5FT5-H5.5FT

	Maximum fork height (mm)	Tilt F	Tilt B	Overall lowered height (mm)	Overall extended height (mm) ▽	Overall extended height (mm) ✦	Free lift (top of forks) (mm) ▽
2-Stage Limited Free Lift	2800	6	10	2215	3730	4065	160
	3400	6	10	2515	4330	4665	160
	4000	6	10	2815	4930	5265	160
	4700	6	6	3265	5630	5965	160
	5300	6	6	3665	6230	6565	160
	5900	6	6	4065	6830	7165	160
2-Stage Full Free Lift	2825	6	10	2215	3810	4090	1230
	3425	6	10	2515	4410	4690	1530
3-Stage Full Free Lift	4145	6	6	2215	5130	5415	1230
	5000	6	6	2515	5985	6265	1530
	5300	6	6	2615	6285	6565	1630

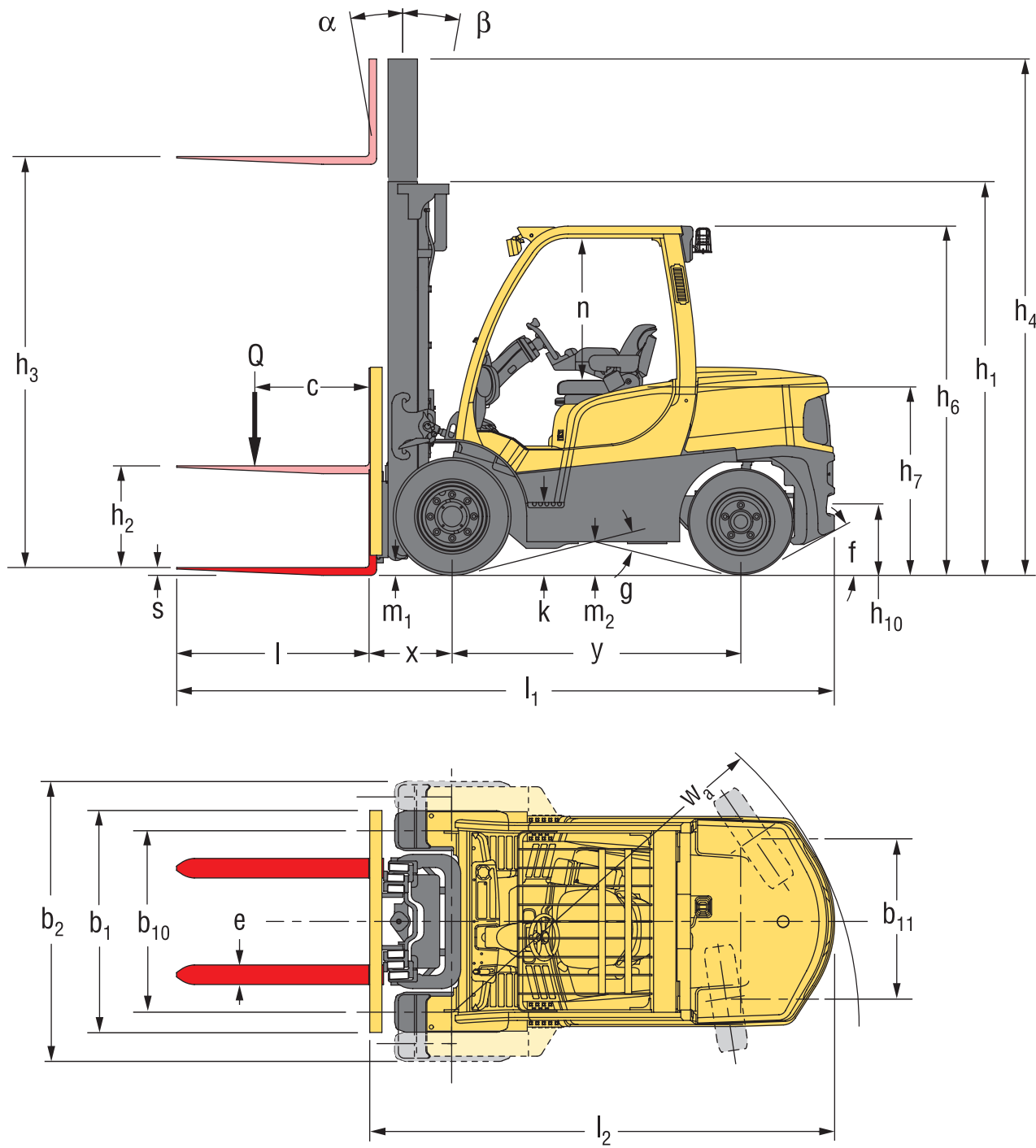
H4.0FT5-H4.0FT6 – Capacity chart in kg

	Maximum fork height (mm)	Pneumatic Radial Tyres										
		Without sideshift					Maximum fork height (mm)	With integral sideshift				
		H4.0FT5		H4.0FT6				H4.0FT5		H4.0FT6		
		500 LC	600 LC	700 LC	600 LC	700 LC		500 LC	600 LC	700 LC	600 LC	700 LC
2-Stage Limited Free Lift	3050	4000	3670	3580	4000	3890	3050	4000	3670	3470	4000	3770
	3650	4000	3670	3570	4000	3870	3650	4000	3670	3460	4000	3750
	4250	4000	3670	3550	4000	3860	4250	4000	3670	3440	4000	3740
	4950	3880	3560	3420	3890	3720	4950	3880	3560	3320	3890	3610
2-Stage Full Free Lift	3075	4000	3670	3450	4000	3750	3075	4000	3670	3400	4000	3690
	3675	4000	3670	3440	4000	3730	3675	4000	3650	3380	3990	3670
3-Stage Full Free Lift	4415	4000	3670	3430	4000	3720	4415	3970	3630	3350	3950	3640
	4950	3870	3550	3310	3880	3600	4950	3830	3510	3230	3820	3520
	5250	3800	3490	3230	3810	3520	5250	3750	3430	3160	3740	3440
	5550	3730	3420	3170	3740	3450	5550	3670	3360	3090	3660	3370
6000	3600	3310	3050	3620	3330	6000	3530	3230	2980	3530	3250	

H4.5FT5-H4.5FT6 – Capacity chart in kg

	Maximum fork height (mm)	Pneumatic Radial Tyres										
		Without sideshift					Maximum fork height (mm)	With integral sideshift				
		H4.5FT5		H4.5FT6				H4.5FT5		H4.5FT6		
		500 LC	600 LC	700 LC	600 LC	700 LC		500 LC	600 LC	700 LC	600 LC	700 LC
2-Stage Limited Free Lift	2800	4500	4000	3890	4500	4340	2800	4440	4000	3770	4500	4210
	3400	4500	4000	3870	4500	4330	3400	4420	4000	3750	4500	4200
	4000	4500	4000	3860	4500	4310	4000	4410	4000	3740	4500	4180
	4700	4380	3900	3730	4390	4180	4700	4260	3890	3610	4390	4060

TRUCK DIMENSIONS



$A_{st} = W_a + x + l_6 + a$ (see lines 4.34.1 & 4.34.2)
 a = Minimum operating clearance
 (VDI standard = 200 mm BITA recommendation = 300 mm)
 l_6 = Load length

POWERTRAINS

1.3	Drive: electric (battery or mains), diesel, petrol, LPG	Diesel
7.1	Engine manufacturer/type	Kubota 3.8L
7.2	Engine power according to ISO 1585	55 kW
7.3	Rated speed	2200 min ⁻¹
7.3.1	Torque at 1/min	308 / 1400 Nm/min ⁻¹
7.4	Number of cylinders/displacement	4 / 3769 cm ³
7.10	Battery voltage/nominal capacity	12 / 105 (V)/(Ah)
8.1	Type of drive unit	Hydrodynamic
8.2	Manufacturer/type	NMHG/Electronic
8.6	Wheel drive/drive axle manufacturer/type	Dana or NMHG/WBA
8.11	Service brake	Hydraulic
8.12	Parking brake	Multi Disc Brake

PRODUCT PACKAGES

The Hyster Fortens™ range has been designed to match the vast range of application requirements and business objectives that customers demand. The H4.0-5.5FT Series is available in several truck packages, with multiple powertrain combinations to choose from, to best match operational demands. Each configuration offers improved efficiency, advanced dependability, lower cost of operations and simple serviceability.

Model / Bundle	H4.0FT5			H4.0FT6		
Diesel	Engine	Transmission	Brakes	Engine	Transmission	Brakes
Fortens Advance	Kubota 3.8L	DuraMatch™ 1 speed	Standard Wet Brakes	Kubota 3.8L	DuraMatch™ 1 speed	Standard Wet Brakes
Fortens Advance	Kubota 3.8L	DuraMatch™ 1 speed	Premium Wet Brakes	Kubota 3.8L	DuraMatch™ 1 speed	Premium Wet Brakes
Fortens Advance	Kubota 3.8L	DuraMatch™ 2 speed	Standard Wet Brakes	Kubota 3.8L	DuraMatch™ 2 speed	Standard Wet Brakes
Fortens Advance	Kubota 3.8L	DuraMatch™ 2 speed	Premium Wet Brakes	Kubota 3.8L	DuraMatch™ 2 speed	Premium Wet Brakes
Fortens Advance+	Kubota 3.8L	DuraMatch™ 2 speed	Premium Wet Brakes	Kubota 3.8L	DuraMatch™ 2 speed	Premium Wet Brakes

Model / Bundle	H4.5FT5			H4.5FT6		
Diesel	Engine	Transmission	Brakes	Engine	Transmission	Brakes
Fortens Advance	Kubota 3.8L	DuraMatch™ 1 speed	Standard Wet Brakes	-	-	-
Fortens Advance	Kubota 3.8L	DuraMatch™ 1 speed	Premium Wet Brakes	Kubota 3.8L	DuraMatch™ 1 speed	Premium Wet Brakes
Fortens Advance	Kubota 3.8L	DuraMatch™ 2 speed	Standard Wet Brakes	-	-	-
Fortens Advance	Kubota 3.8L	DuraMatch™ 2 speed	Premium Wet Brakes	Kubota 3.8L	DuraMatch™ 2 speed	Premium Wet Brakes
Fortens Advance+	Kubota 3.8L	DuraMatch™ 2 speed	Premium Wet Brakes	Kubota 3.8L	DuraMatch™ 2 speed	Premium Wet Brakes

Model / Bundle	H5.0FT			H5.5FT		
Diesel	Engine	Transmission	Brakes	Engine	Transmission	Brakes
Fortens Advance	Kubota 3.8L	DuraMatch™ 1 speed	Premium Wet Brakes	Kubota 3.8L	DuraMatch™ 1 speed	Premium Wet Brakes
Fortens Advance	Kubota 3.8L	DuraMatch™ 2 speed	Premium Wet Brakes	Kubota 3.8L	DuraMatch™ 2 speed	Premium Wet Brakes
Fortens Advance+	Kubota 3.8L	DuraMatch™ 2 speed	Premium Wet Brakes	Kubota 3.8L	DuraMatch™ 2 speed	Premium Wet Brakes

Please refer to the Price List for full option configurations.

PRODUCT FEATURES H4.0-5.5FT

THIS SERIES OF TRUCKS IS AVAILABLE IN THREE CONFIGURATIONS

The Fortens Advance and Fortens Advance+ trucks provide excellent performance for the most demanding of applications and are engineered for the lowest hourly operating cost. The mainframe, mast and powertrain are designed, tested and built for intensive heavy duty tasks either with forks or attachments.

THE KUBOTA 3800 SERIES ENGINES

Fortens Advance and Advance models feature the electronically controlled Kubota V3800 E4 55kw diesel engine. The Kubota V3800 E4 diesel engine is fully compliant with Stage IIIB requirements for regulated markets and is equipped with a DPF or DOC as standard. These engines meet the stringent emissions regulations by using a number of technologies including cooled exhaust gas recirculation, charge air cooling and an active regenerating Diesel Particulate Filter or a Diesel Oxidising Catalyst.

Hyster Stage IIIB trucks stand for profitable low emissions through intelligent design. They are recognisable by the Stage IIIB symbol.



Hyster also offers an ECO-eLo (Fuel Efficiency) mode on many models, reducing engine speed by 20% and optimising throttle response, so that the truck operates in the most economical power range. This results in a reduction in fuel consumption of a further 5%*, but has a limited effect on overall truck productivity in the operational environment. The ECO-eLo mode also delivers lower noise levels by up to 3dB(A). If a faster work rate, or higher productivity is required, the truck can easily be reprogrammed to HiP (High Performance) mode of operation through the dash display, with access secured by a unique customer password.

Load Sensing Hydraulics (LSH) are standard on trucks with **TouchPoint™** mini levers delivering increased operational efficiency, providing a 15% reduction in fuel consumption on the VDI cycle, with a nominal reduction in productivity*.

(*Hyster Productivity Test Cycle: Load Sensing Hydraulics and ECO-eLo functions are available on trucks with **TouchPoint™** mini-levers and **DuraMatch™** transmissions).

Variable displacement hydraulic piston pump matches the oil flow rate continuously to the lifting speed and the demands of the duty cycle. The engine therefore supplies only power to the hydraulic pumps when required, so more power is available for driving. This increases responsiveness and acceleration, which increases productivity and lowers fuel consumption, reducing overall operating costs.

TRANSMISSION

Fortens Advance and Fortens Advance+ models feature the electronically controlled **DuraMatch™** transmission, with one and two speeds providing:

- **Auto Deceleration System (ADS)** automatically slows the truck when the accelerator pedal is released, and finally brings the truck to a stop, which helps to significantly extend brake life. In addition, this feature assists the driver to accurately position the truck in front of a load. There are 10 ADS settings, programmable via the dash display by a service technician, which deliver different braking characteristics, from very gradual to aggressive, to suit the needs of the application.
- **Controlled Power Reversal;** the **Pacesetter VSM™** controls the transmission to deliver smooth direction changes. The VSM reduces the throttle to slow the engine, initiates auto-deceleration to stop the truck, changes the transmission direction automatically and increases the throttle to accelerate the truck. The system virtually eliminates tyre spin and shock loads on the transmission and significantly increases tyre life. As with ADS, the system is programmable via the dash display by a service technician, with settings from 1 to 10, to suit the needs of the application.
- **Controlled Roll-Back on Ramp;** the transmission controls the rate of decent of the truck on a ramp, when the brake and throttle pedal are released, to provide maximum control on a grade and increase operator productivity.

PRODUCT FEATURES (2)

This transmission, in addition to the above features:

- **First Gear** offering Increased Drawbar Pull for use on gradients.
- **Second Gear** provides maximum engine efficiency in applications where longer travel distances are common.

DuraMatch™ transmissions are available with Auto-speed Hydraulics which automatically increases engine speed on activation of the hydraulics, eliminating the need for inching when lifting the load.

The transmissions are compatible with the combi-cooler radiator and a superior counterweight tunnel design coupled with a "pusher" type fan, to provide the industry's best cooling. All Fortens H4.0-5.5FT Series models are equipped with Oil-immersed brakes offering reduced maintenance and repair time and costs, which results in extended truck dependability and uptime. The Standard oil-immersed brake axle is a self-contained unit with its own oil supply, whereas the Premium oil-immersed brake axle features an additional oil supply routed through the Combi-Cooler.

The Premium oil-immersed brake axle should be specified in multiple shift operations, or where the brakes are in constant use. The Standard oil-immersed brake axle is not available on long wheelbase models. Oil-immersed brakes are ideally suited to applications in wet, dirty or corrosive environments, and ensure consistent braking performance under all operational conditions and throughout the lifetime of the truck.

All powertrains are controlled, protected and managed by the **Pacesetter VSM™** industrial onboard computer, featuring a CANbus communications network. This system permits adjustment and optimisation of the truck's performance, in addition to monitoring key functions. It enables quick, easy diagnostics, minimizing repair downtime and unnecessary parts swapping. Hassle-Free Hydraulic systems, featuring Leak-free O-ring face seal fittings reduce leaks for enhanced reliability. Non-mechanical, Hall-Effect sensors and switches have been fitted and are designed to outlast the life of the truck.

The operator compartment features class-leading Ergonomics for maximum driver comfort and productivity.

- **Operator space** is optimised by an overhead guard design that achieves a generous floor space.
- **A full range of Cabs with heating and optional Air Conditioning are available, including lowered cab for operation in containers etc.**
- **The Easy-to-use 3-point entry** design of operator compartment has an open non-slip step with a height of just 42.5 cm.
- **The Full Suspension Seat** together with the isolated powertrain provide best in class Whole-Body Vibration levels of 0.6m/s², ensuring that the operator remains comfortable throughout the shift and minimising the operator's exposure to vibration over the shift.
- **The mini-lever armrest** features a contoured design, and - in addition to the hydraulic functions - features a horn and direction switch, ensuring that all key truck functions are within constant, easy reach.
- **The Rear grab handle** with horn button and optional swivel seat facilitates reverse driving.
- **An infinitely adjustable steering column**, 30 cm diameter steering wheel with spinner knob.

The Hyster Fortens is the fastest and easiest lift truck to **Service:**

- **Complete cowl-to-counterweight service access** and simplified layout of wiring and hydraulics offers greater access to components, which in turn decreases service time for un-scheduled repairs and regular maintenance.
- **Fast, colour-coded daily checks and diagnostic systems** can be managed via the dash display.
- **An Engine coolant, oil change and Hydraulic oil change** interval of 4,000 hours hydraulics, coolant 2,000 hrs, engine oil 500hrs also contributes to reduced downtime.

STRONG PARTNERS. TOUGH TRUCKS.™

FOR DEMANDING OPERATIONS, EVERYWHERE.

Hyster supplies a complete range of warehouse equipment, IC and electric counterbalanced trucks, container handlers and reach stackers. Hyster is committed to being much more than a lift truck supplier.

Our aim is to offer a complete partnership capable of responding to the full spectrum of material handling issues: Whether you need professional consultancy on your fleet management, fully qualified service support, or reliable parts supply, you can depend on Hyster.

Our network of highly trained dealers provides expert, responsive local support. They can offer cost-effective finance packages and introduce effectively managed maintenance programmes to ensure that you get the best possible value. Our business is dealing with your material handling needs so you can focus on the success of your business today and in the future.



HYSTER EUROPE

Centennial House, Frimley Business Park, Frimley, Surrey, GU16 7SG, England.

Tel: +44 (0) 1276 538500



www.hyster.eu



infoeurope@hyster.com




[/HysterEurope](https://www.facebook.com/HysterEurope)




[@HysterEurope](https://twitter.com/HysterEurope)



[/HysterEurope](https://www.youtube.com/HysterEurope)

HYSTER  and FORTENS are registered trademarks in the European Union and certain other jurisdictions.

MONOTROL is a registered trademark, and DURAMATCH and  are trademarks in the United States and in certain other jurisdictions.

Hyster products are subject to change without notice. Lift trucks illustrated may feature optional equipment.

A division of NACCO Materials Handling Limited.