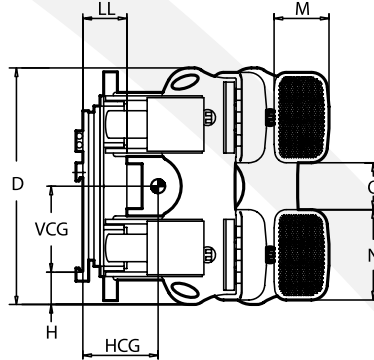
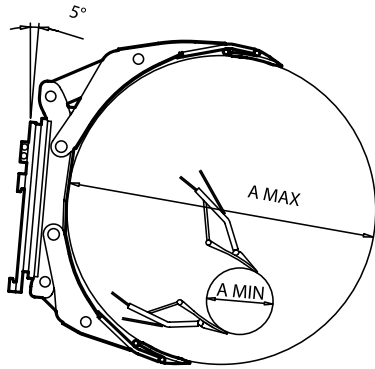


## Paper Roll Clamps Models AR-30



- Rotating paper roll clamp for safe and effective vertical and horizontal roll handling.
- Slim and smooth arm and frame design, optimal visibility and advanced hydraulic operation.
- Pivoting arm movement. Short and long arms. Non-split long arm for single roll handling. Split arm for 1 - 2 roll handling.
- 180-degree rotation. Hydraulic cushioning in the vertical end positions.
- All hydraulic functions protected with built-in pressure relief valves and check valves. All service and maintenance points easily available.

Model	Capacity		Roll Range	Height	Weight	Horizontal Centre of Gravity	Vertical Centre of Gravity	Effective Thickness	Contact Pads	Contact Pad Gap	Mounting Height	Mounting Class
	Q kg	BP mm										
<b>Single roll clamps - Unsplit long arm</b>												
AR-30RH-13F	3000	650	550-1300	1035	755	253	360	190	240x400	200	160	2A/3A
AR-30RH-13	3000	650	250-1300	1035	760	253	360	190	240x400	200	160	2A/3A
AR-30RH-14F	2850	700	600-1400	1035	775	274	360	190	240x400	200	160	2A/3A
AR-30RH-14	2850	700	250-1400	1035	780	274	360	190	240x400	200	160	2A/3A
AR-30RH-15F	2700	760	650-1520	1035	800	296	360	190	240x400	200	160	2A/3A
AR-30RH-15	2700	760	260-1520	1035	805	296	360	190	240x400	200	160	2A/3A
AR-30RH-16F	2500	800	700-1600	1035	810	305	360	190	240x400	200	160	2A/3A
AR-30RH-16	2500	800	270-1600	1035	815	305	360	190	240x400	200	160	2A/3A
AR-30RH-18F	2150	915	800-1830	1035	855	350	360	200	240x400	200	160	2A/3A
AR-30RH-18	2150	915	400-1830	1035	860	350	360	200	240x400	200	160	2A/3A
<b>1 - 2 roll clamps - Split long arm</b>												
AR-30RJ-13F	3000	650	550-1300	1035	745	251	360	190	240x400	200	160	2A/3A
AR-30RJ-13	3000	650	250-1300	1035	750	251	360	190	240x400	200	160	2A/3A
AR-30RJ-14F	2850	700	600-1400	1035	770	265	360	190	240x400	200	160	2A/3A
AR-30RJ-14	2850	700	250-1400	1035	775	265	360	190	240x400	200	160	2A/3A
AR-30RJ-15F	2700	760	650-1520	1035	790	279	360	190	240x400	200	160	2A/3A
AR-30RJ-15	2700	760	260-1520	1035	795	279	360	190	240x400	200	160	2A/3A
AR-30RJ-16F	2500	800	700-1600	1035	800	287	360	190	240x400	200	160	2A/3A
AR-30RJ-16	2500	800	270-1600	1035	805	287	360	190	240x400	200	160	2A/3A
AR-30RJ-18F	2150	915	800-1830	1035	845	322	360	200	240x400	200	160	2A/3A
AR-30RJ-18	2150	915	400-1830	1035	850	322	360	200	240x400	200	160	2A/3A

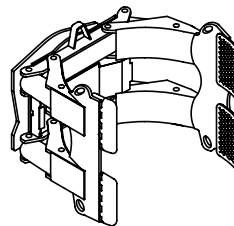
**Note:**

Models AR-30RH/RJF with fixed (non-moving) short arm  
Models AR-30RH/RJ with hydraulically positionable short arm

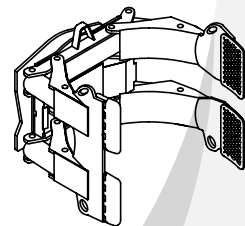
Two hydraulic functions are required. See hydraulic specifications page for pressure and flow rate recommendations. Special roll ranges on request. Standard contact pads: cast pad with high-friction surface. Standard contact pad options: Rubber-faced, steel-sprayed or polyurethane faced. Full length contact pads are available on request. Consult Bolzoni Auramo. Optional arm height, D = 830 mm. Consult Bolzoni Auramo

**Note:**

Minimum 5-degree forward tilt on lift mast is required for horizontal handling. For 0-degree tilt, special arms are available. Consult Bolzoni Auramo.



Unsplit long arm



Split long arm